

EQUIPMENT SCHEDULE

MARK	DESCRIPTION	LOCATION	LOAD							φ	MOTOR STARTERS		DISCONNECT		POWER WIRING	COND.	PANEL	NOTES
			MCA	MOCP	AMPS	HP	FLC	KVA	VOLTS		TYPE	STARTER NEMA SIZE	SWITCH	FUSE				
RTU-R.6	AIR HANDLING UNIT	ROOF	99.6	125.0			79.7		480	3					(3) #1 + (1) #6G	1-1/2"	HDB2	NOTE 1
CU-R.6	CONDENSING UNIT	ROOF	133.9	150.0			107.1		480	3			200/3P	N/A	(3) #1/0 + (1) #6G	2"	HDB2	

GENERAL NOTES:
A. STANDARD ABBREVIATIONS DO NOT APPLY TO EQUIPMENT DESIGNATION COLUMN.
B. VERIFY CB/FUSE AND WIRING REQUIREMENTS WITH SUBMITTALS PRIOR TO WIRING UNITS.
NOTES:
1. MECHANICAL EQUIPMENT PROVIDED WITH VFD WITH INTEGRAL DISCONNECT.

LOAD ANALYSIS

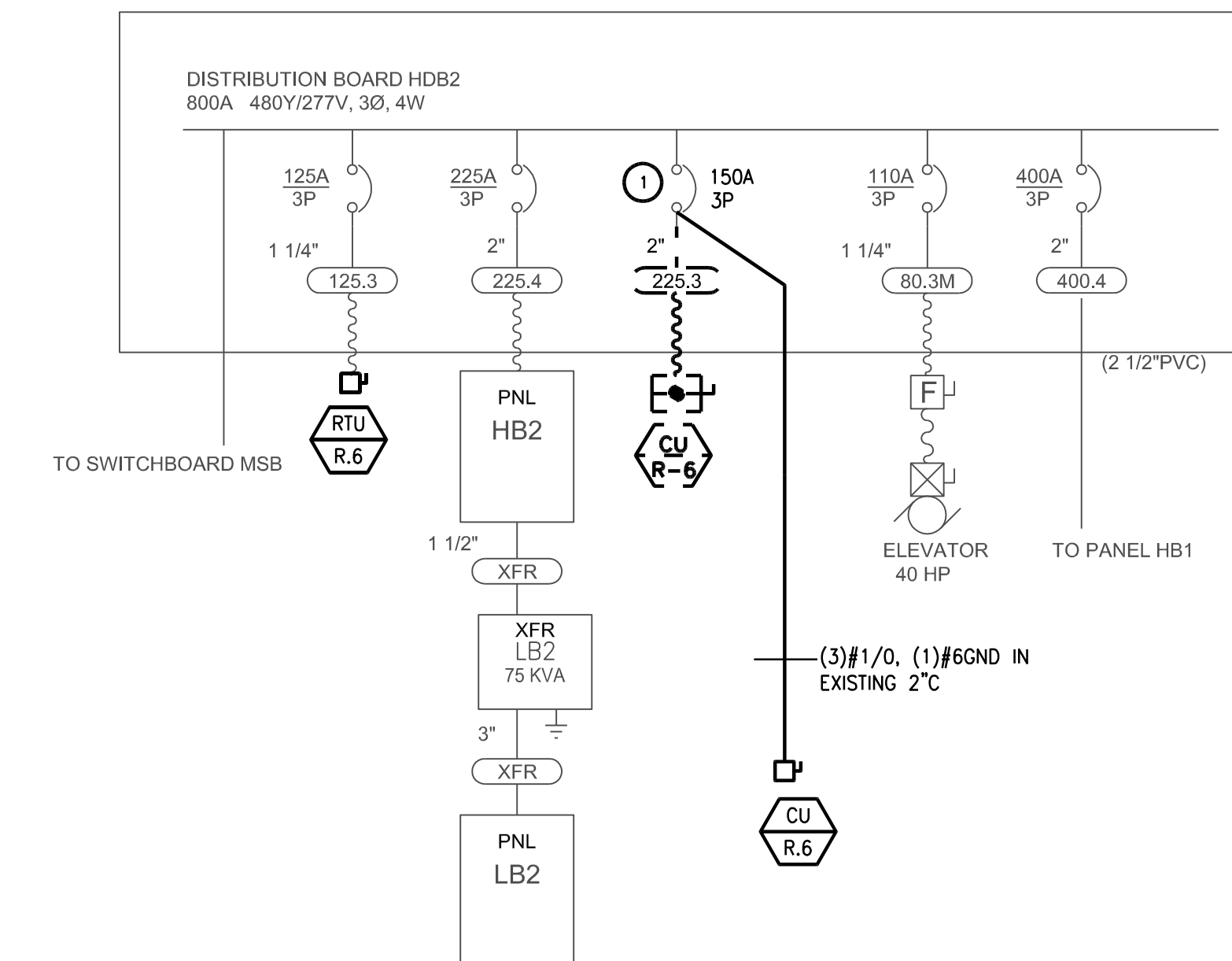
EXISTING HDB2(800A, 480/277V, 3P, 4W)
EXISTING LOAD REMOVED: 172.8 KVA
NEW LOAD ADDED: 155.2 KVA
TOTAL NET LOAD REMOVED: 17.6 KVA(21.1A @ 480V/3P)

SHEET NOTES

- EXISTING ONE-LINE INFORMATION IS BASED ON EXISTING AS-BUILT INFORMATION PROVIDED. CONTRACTOR TO VERIFY ACTUAL SITE CONDITION PRIOR TO ANY WORK. ALL EXISTING IS SHOWN IN GRAY, ALL NEW WORK IS BOLD.

KEYED NOTES

- EXISTING 225A, 3-POLE BREAKER TO BE REPLACED WITH NEW 150A, 3-POLE.



SECOND LEVEL EAST

1 PARTIAL ELECTRICAL ONELINE DIAGRAM



121 SW Salmon St., Suite 1000
Portland, OR 97204-2918
Tel: 503.620.3232
www.mozzetti.com
Project Number: 005-600420



REVISIONS

NO. DATE DESCRIPTION

ARCHITECTS PROJECT #

CLIENT PROJECT #

CLIENT ACCOUNT #

PROJECT TITLE

**CLACKAMAS COMMUNITY COLLEGE
WILSONVILLE TRAINING CENTER
RTU-6 REPLACEMENT**

SHEET TITLE

**ELECTRICAL SCHEDULES AND
DETAILS**

SCALE

AS NOTED

DATE

08-29-2022

SHEET NO.

E0.1