

CONDENSING UNITS

TAG	MODEL NO.	LOCATION	SERVICE	COOLING CAPACITY [A]			ELECTRICAL					APPROX. WEIGHT (LBS)	REMARKS	
				BTUH	EER	SEASONAL EER	COMPRESSOR NO.	FANS NO.	MCA	MOC	VOLT			PHASE
CU-R-6	RCS0800	ROOF	RTU-R-6	943200	10.7	15.3	6	6	133.9	150	480	3	3600	[B]

NOTES:
BASIS OF DESIGN: DAIKIN.
[A] AMBIENT: 95 DEGREES F.
[B] R-410A REFRIGERANT TYPE; 36 LB CHARGE.

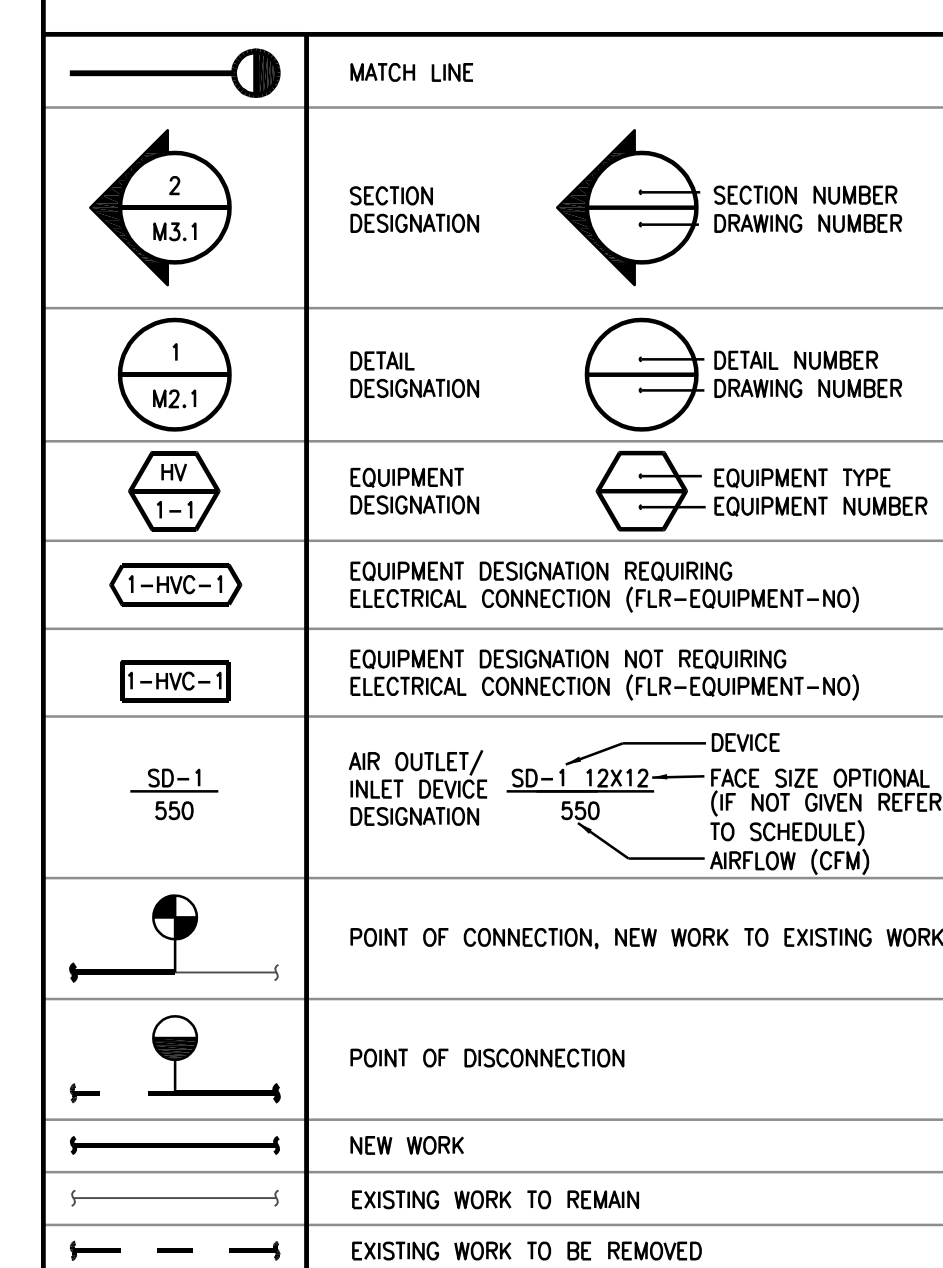
AIR HANDLING UNITS

GENERAL	RTU-R-6
TAG	RTU-R-6
MODEL NO.	RFS079D
LOCATION	ROOF
SERVICE	BUILDING
UNIT TYPE	AIR HANDLER
SUPPLY FAN	
CFM	30,000
ESP (N. W.G.) - [A]	2.25
TSP (N. W.G.) - [B]	5.7
FAN WHEEL TYPE - SIZE	33
FAN RPM	1430
FAN BHP	41.01
FAN EFFICIENCY	0.74
MOTOR HP	50
VOLT	480
PHASE	3
VFD [C]	YES
CFM	28,500
ESP (N. W.G.) - [A]	1.2
TSP (N. W.G.) - [B]	1.25
FAN WHEEL TYPE - SIZE	40
FAN RPM	935
FAN BHP	14.67
FAN EFFICIENCY	0.33
MOTOR HP	20
VOLT	480
PHASE	3
VFD [C]	YES
FACE VELOCITY (FPM)	637
ROWS / FPF	6 / 10
EAT (DB / WB) - LAT (DB / WB)	81/64 - 54/53
TOTAL CLG (MBH)	943
SENSIBLE CLG (MBH)	894
MAX APD (N. W.G.)	1.1
INPUT HEATING (MBH)	1,000
OUTPUT HEATING (MBH)	800
EAT (DB) - LAT (DB)	50 - 74.6
MAX APD (N. W.G.)	0.5
BANK FACE AREA (SQ. FT.)	48
VELOCITY (FPM)	625
EFFICIENCY (%) / (MERV)	MERV 8
BANK FACE AREA (SQ. FT.)	48
VELOCITY (FPM)	625
EFFICIENCY (%) / (MERV)	MERV 13
MIN OSA CFM	10,500
APPROXIMATE UNIT WEIGHT (LBS)	11,500

NOTES:
TEMPERATURES ARE DEGREES F.
BASIS OF DESIGN: DAIKIN
[A] EXTERNAL STATIC PRESSURE (ESP) IS DUCT LOSS BEYOND THE DUCT CONNECTION AT FAN OR UNIT.
[B] TOTAL STATIC PRESSURE (TSP) IS (ESP) PLUS CABINET COMPONENT LOSSES.
[C] PROVIDE ALERTON VARIABLE FREQUENCY DRIVE.

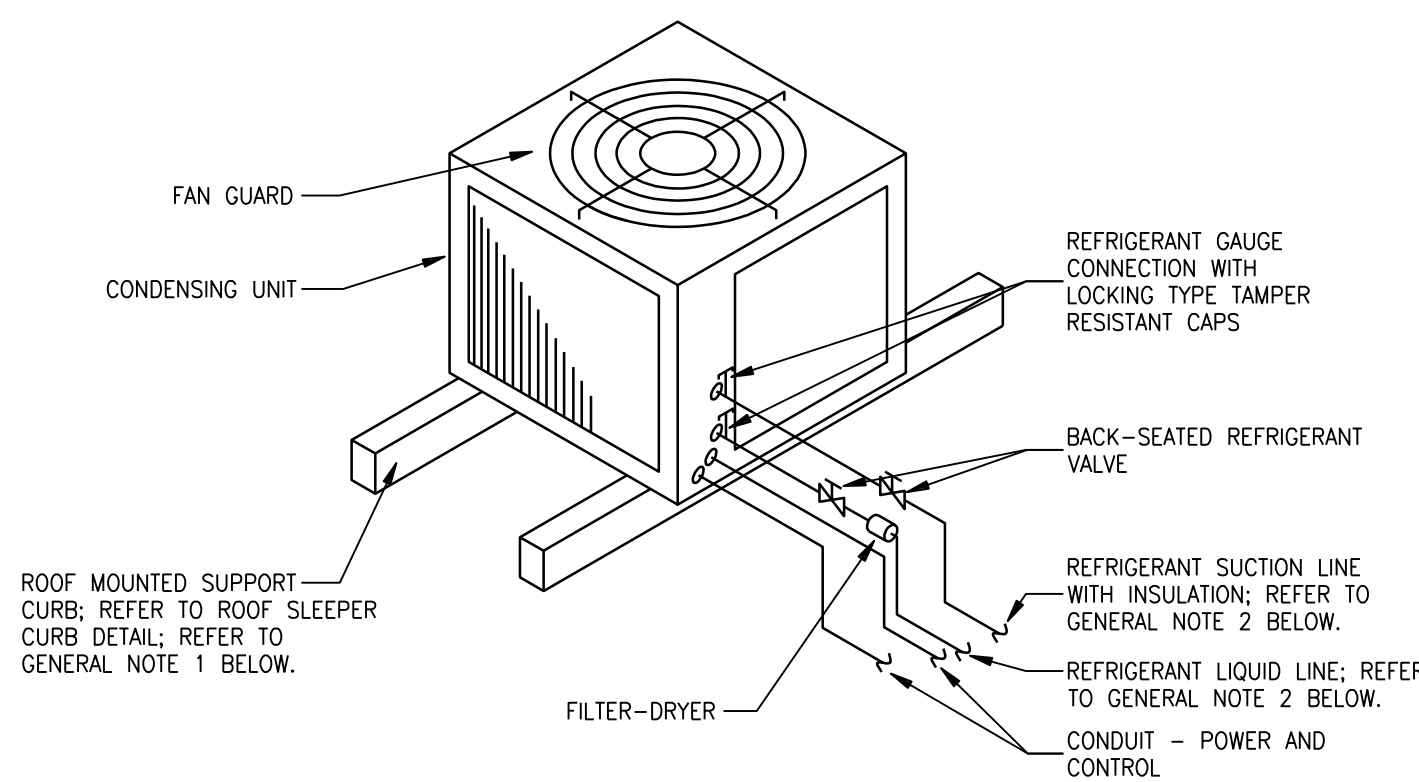
MECHANICAL SYMBOL SCHEDULE

GENERAL LEGEND



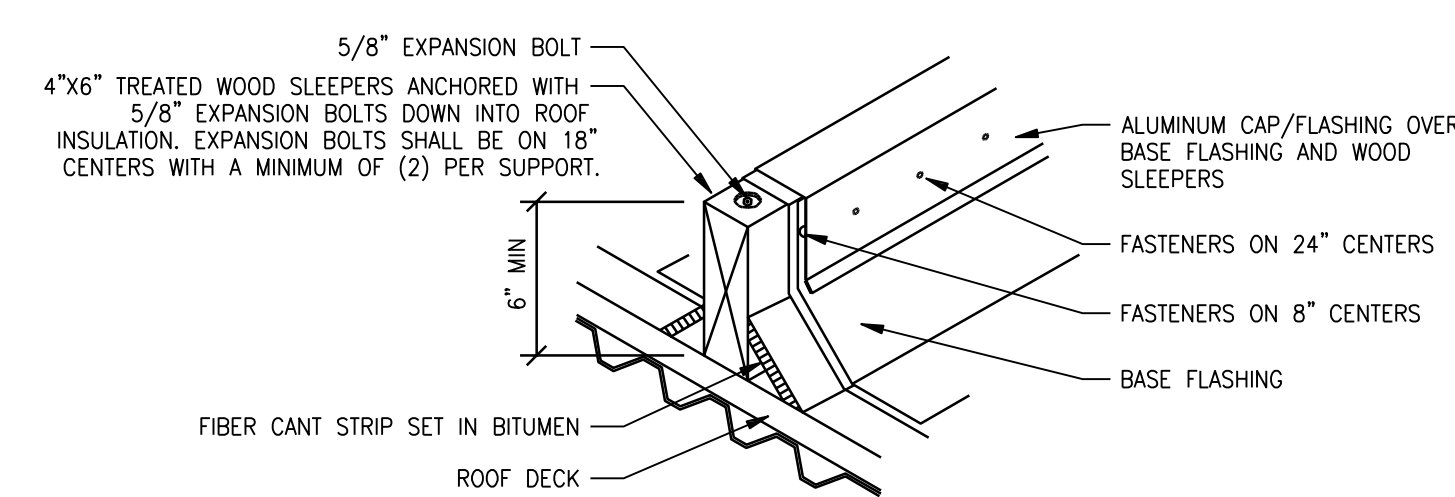
ABBREVIATIONS

ABV	ABOVE	HVAC	HEATING, VENTILATING AND AIR CONDITIONING
AFF	ABOVE FINISHED FLOOR	IN	INCHES
AHU	AIR HANDLING UNIT	KW	KILOWATT
ALT	ALTITUDE	LAT	LEAVING AIR TEMP.
APPROX	APPROXIMATE	LBS	POUNDS
AVG	AVERAGE	MAT	MIXED AIR TEMPERATURE
BHP	BRAKE HORSEPOWER	MAX	MAXIMUM
BTU	BRITISH THERMAL UNIT	MBH	THOUSAND BTU/HOUR
BTUH	BTU PER HOUR	MFG	MANUFACTURER
CC	COOLING COIL	MIN	MINIMUM
CFM	CAP FOR FUTURE	(N)	NEW
CFM	CUBIC FEET PER MINUTE	N/A	NOT APPLICABLE
CMR	COMPRESSOR	NTS	NOT TO SCALE
COND	CONDENSATE	OA	OUTSIDE AIR
CONT	CONTINUATION	△ P	PRESSURE DROP OR DIFFERENTIAL
COP	COEFF. OF PERFORMANCE	PH	PHASE (ELECTRICAL)
DB	DRY BULB	PSI	POUNDS/SQUARE INCH
DDC	DIRECT DIGITAL CONTROL	PSIG	POUNDS PER SQUARE INCH GAUGE
DEG. F	DEGREES FAHRENHEIT	RA	RETURN AIR
DIA	DIAMETER	RF	RETURN FAN
DN	DOWN	RPW	REVOLUTIONS/MINUTE
DWG	DRAWING	SA	SUPPLY AIR
(E)	EXISTING	SEC	SECOND
EA	EXHAUST AIR	SP	STATIC PRESSURE
EAT	ENTERING AIR TEMP.	SPEC	SPECIFICATION
EDB	ENTERING DRY BULB TEMP.	SO	SQUARE
EF	EXHAUST FAN	SYM	SYMBOL
EFF	EFFICIENCY	SYST	SYSTEM
EWB	ENTERING WET BULB	△ T	TEMPERATURE DIFF.
EXH	EXHAUST	TEMP	TEMPERATURE
F	DEGREES FAHRENHEIT	TOT	TOTAL
FLA	FULL LOAD AMPS	TYP	TYPICAL
FLR	FLOOR	V	VOLT
FPI	FINS PER INCH	VAV	VARIABLE AIR VOLUME
FPM	FEET PER MINUTE	VFD	VARIABLE FREQ. DRIVE
FPS	FEET PER SECOND	VOL	VOLUME
FT	FEET	W	WATTS
FV	FACE VELOCITY	WB	WET BULB
HC	HEATING COIL	WT	WEIGHT
HP	HORSE POWER		
HR	HOUR(S)		

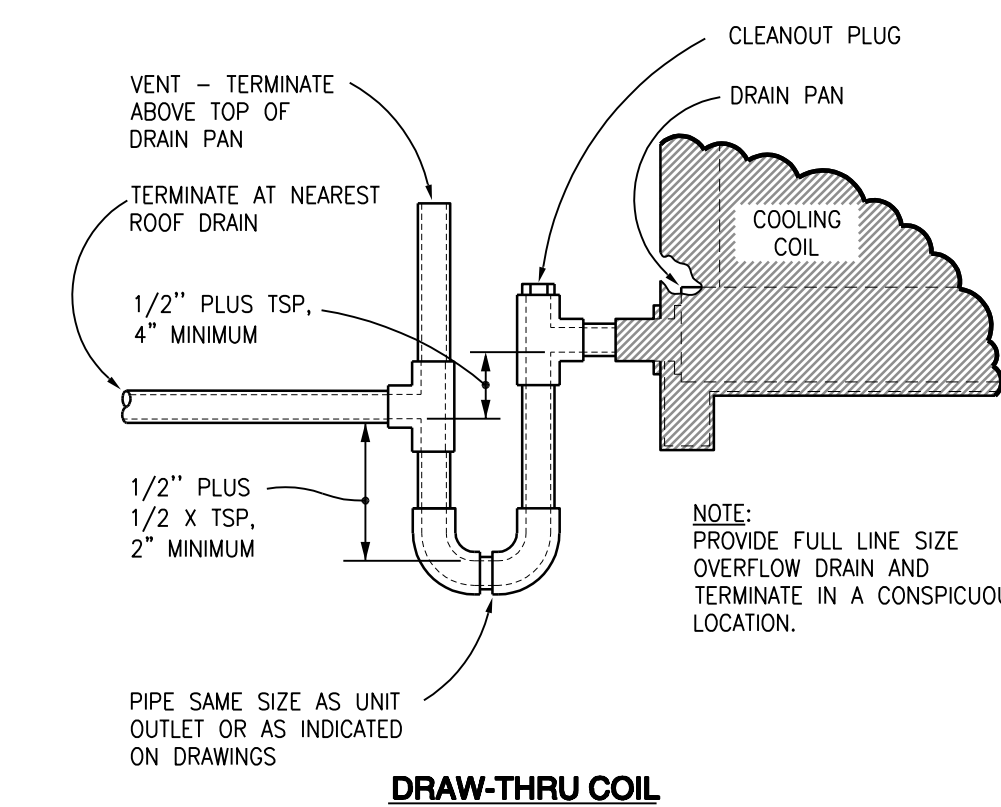


GENERAL NOTES:
1. CONDENSING UNIT SHALL BE MOUNTED ON ROOF MOUNTED SUPPORT CURBS (SLEEPERS). CONDENSING UNITS SHALL BE LOCATED WITH A MINIMUM OF 3'-0" CLEARANCE BETWEEN UNITS AND A MINIMUM OF 10'-0" FROM ANY ROOF EDGE.
2. ALL REFRIGERANT LINES SHALL BE SIZED IN STRICT ACCORDANCE WITH MANUFACTURER'S RECOMMENDATIONS.

1 AIR COOLED CONDENSING UNIT
M.O. NO SCALE



2 ROOF SLEEPER
M.O. NO SCALE



3 COOLING COIL CONDENSATE DRAIN PIPING
M.O. SCALE: NTS

MAZZETTI
121 SW Salmon St., Suite 1000
Portland, OR 97204-2918
Tel: 503.620.3232
www.mazzetti.com
Project Number: 005-600420



REVISIONS

NO. DATE DESCRIPTION

ARCHITECTS PROJECT #

CLIENT PROJECT #

CLIENT ACCOUNT #

PROJECT TITLE

**CLACKAMAS COMMUNITY COLLEGE
WILSONVILLE TRAINING CENTER
RTU-6 REPLACEMENT**

SHEET TITLE

**MECHANICAL LEGEND,
ABBREVIATIONS AND
GENERAL NOTES**

SCALE NONE DATE 08-29-2022

SHEET NO.

M.O.